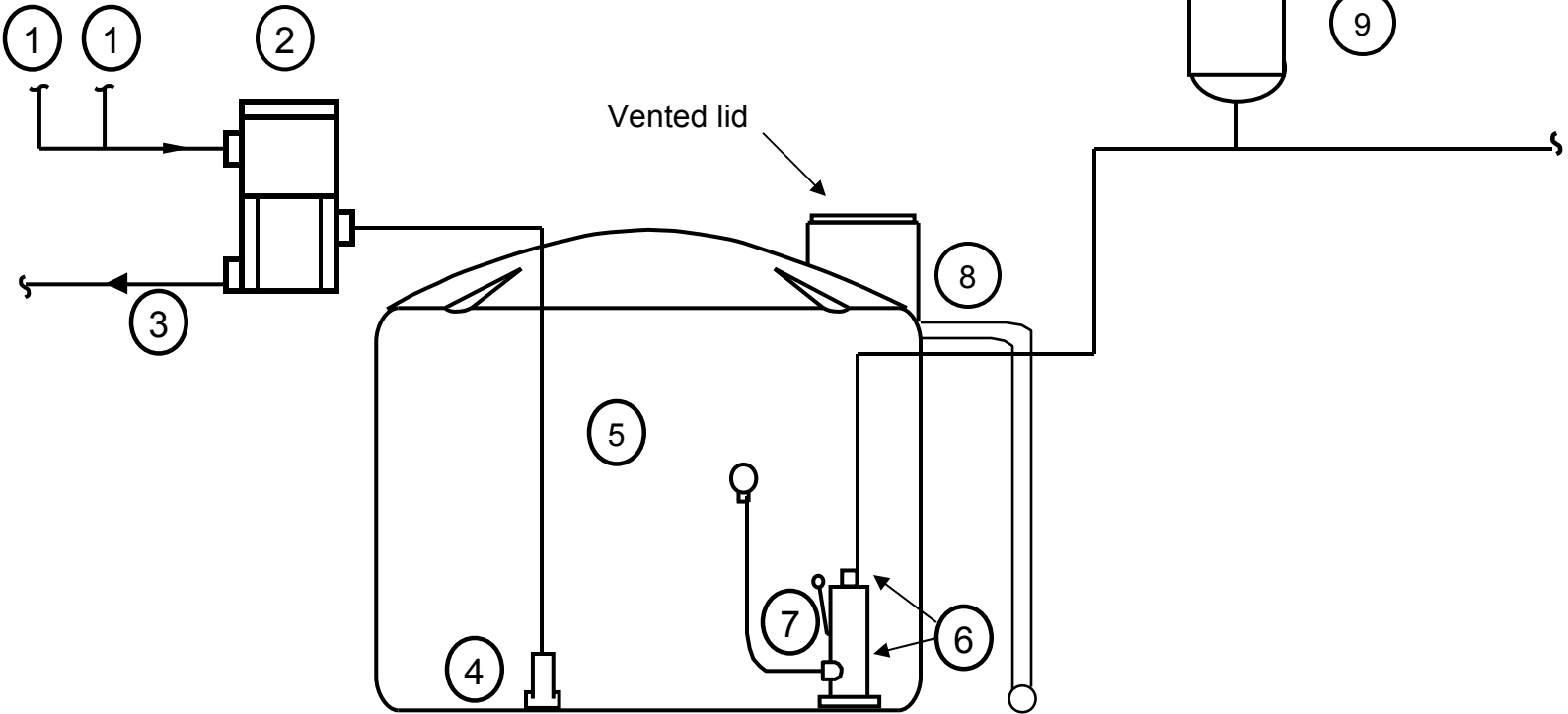


Design 9

Above ground tank with submersible pump



- ① Rainwater collection point (roof drains, gutters, etc)

② Rainwater enters the filter and is processed. Mounted with Wall Bracket

③ Remaining water from filters to overflow

④ Smoothing inlet – stainless steel “flow-calming” device to eliminate turbulence of the incoming water as it enters the tank
- ⑤ Floating stainless steel suction filter

⑥ Submersible feed pump with check valve

⑦ Low water cut off float switch for pump purification (N/O)

⑧ Overflow

⑨ Pressure tank with Tank TEE Package

**RAINWATER HARVESTING SYSTEM DETAIL (For Design Only)**