



FS Downspout Filter Operation & Maintenance

Overview

The Wisy FS Downspout Filter harvests up to 95% of the rooftop rainwater runoff from a roof area up to 1,600 sq.ft. Particulate is separated and diverted from the rainwater by the stainless steel filter insert to protect the harvested water quality prior. The FS Downspout Filter is used in above ground installations and is

connected to a single downspout. Multiple downspouts can be connected above the FS Downspout Filter install.

Components (see page 3 for illustration)

Filter housing & cap: stainless steel

Filter insert: stainless steel 280 micron pore size

Downspout converter kit: PVC (*sold separately*)

Mounting bracket: stainless steel (*sold separately*)

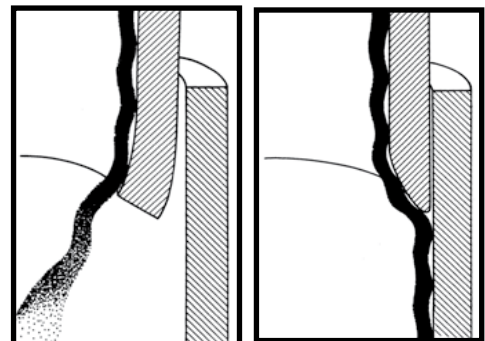
Tension ring and hose: polyethylene and rubber (*sold separately*)



Installation

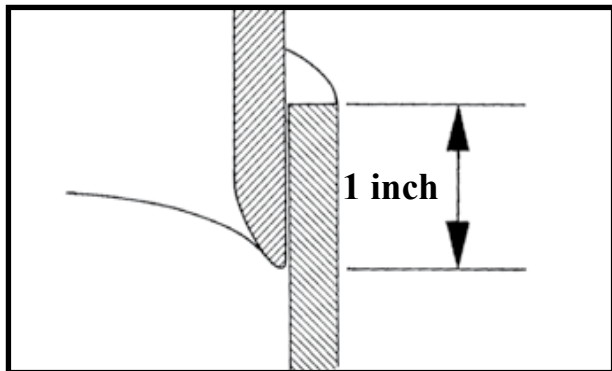
Cut square downspouts off 32 inches above the desired placement of the filter. Clean up cut edges with a file and round inner lip to allow for smooth water flow into the filter (*See image at right*).

Connect the downspout converter supplied to the cut downspout using a screw or gutter strap. *The downspout must be 2 inches away from the building wall to ensure the casing cap can be slid up and down for filter access.*



Incorrect

Correct



Slip the casing cap over the downspout converter then slide the filter insert and filter housing into the casing cap.

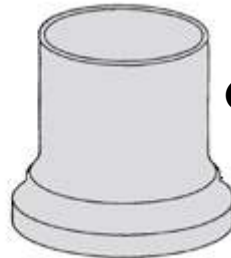
Align the FS Downspout Filter so the casing cap covers only 1" of the downspout converter. Secure the FS Downspout Filter to the building with the mounting bracket (or stainless steel gutter strap). *The filter must be level to maintain filter efficiency.* Install 4" Sewer & Drain PVC into the bottom of the FS

Downspout Filter to serve as the debris carrier. Connect the elbow end of the tension ring & hose to the filter outlet of the FS Downspout Filter and secure with the rubber tension ring. *The 90 degree elbow is critical to ensure water is harvested efficiently.* Connect the hose to 1" PVC piping (*not included*) and connect into the tank with a 1" bulkhead fitting (*not included*).

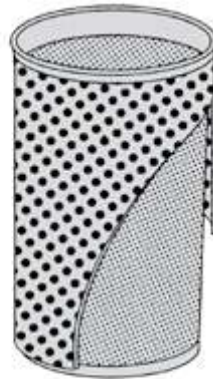
Maintenance

Lift casing cap and remove and inspect stainless steel filter insert every six months. If needed, wash the filter insert with a garden hose or in a dishwasher. The stainless steel filter insert will never need replacing, if maintained as directed. *New construction:* check filter more often as building material debris may accumulate in the filter.

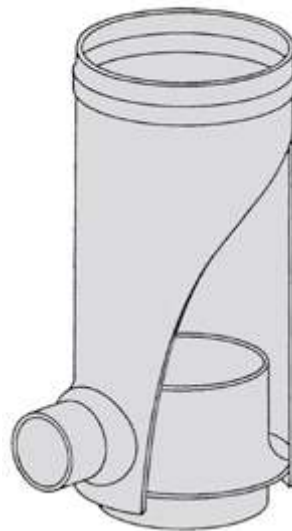
FS Downspout Filter Components



Casing cap



Filter insert



Filter housing