
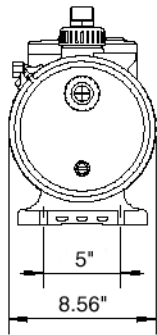


Submittal Data

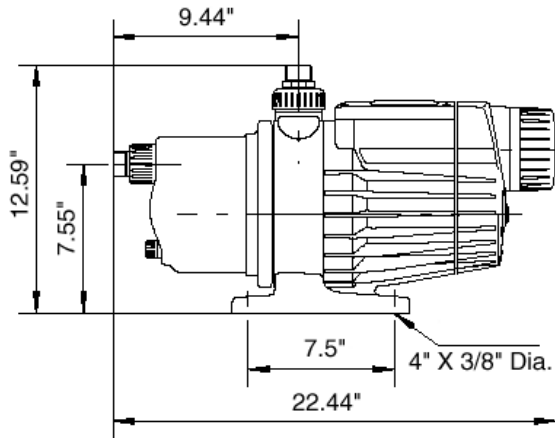
	JOB or CUSTOMER:	
	ENGINEER:	
	CONTRACTOR:	
	SUBMITTED BY:	DATE:
	APPROVED BY:	DATE:
	ORDER NO:	DATE:
	SPECIFICATION REF:	

QUANTITY	TAG NO.	MODEL NO.	GPM	FEET	VOLT	PHASE	COMMENTS
						1	
						1	

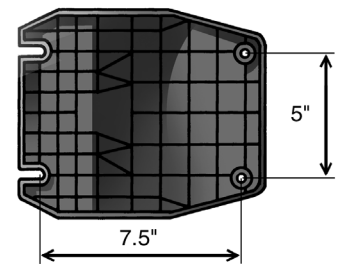
Dimensions



Front View



Side View



Base Dimensions

Suitable Liquids

Potable water, rain water or other clean, thin, non-aggressive liquids not containing solid particles or fibers

Operating Conditions

Max system pressure: 110 psi (7.5 bar)
 Max Inlet Pressure: 45 psi (3 bar)
 Max suction lift: max. 26 ft (8 m)
 Liquid temperature: 32° F to + 95° F
 Ambient temperature: 32° F to + 115° F

Technical Data

Voltage: 110-120V, 60 Hz
 Enclosure Class: IP54
 Insulation Class: B
 Noise Level: < 55 dB(A)



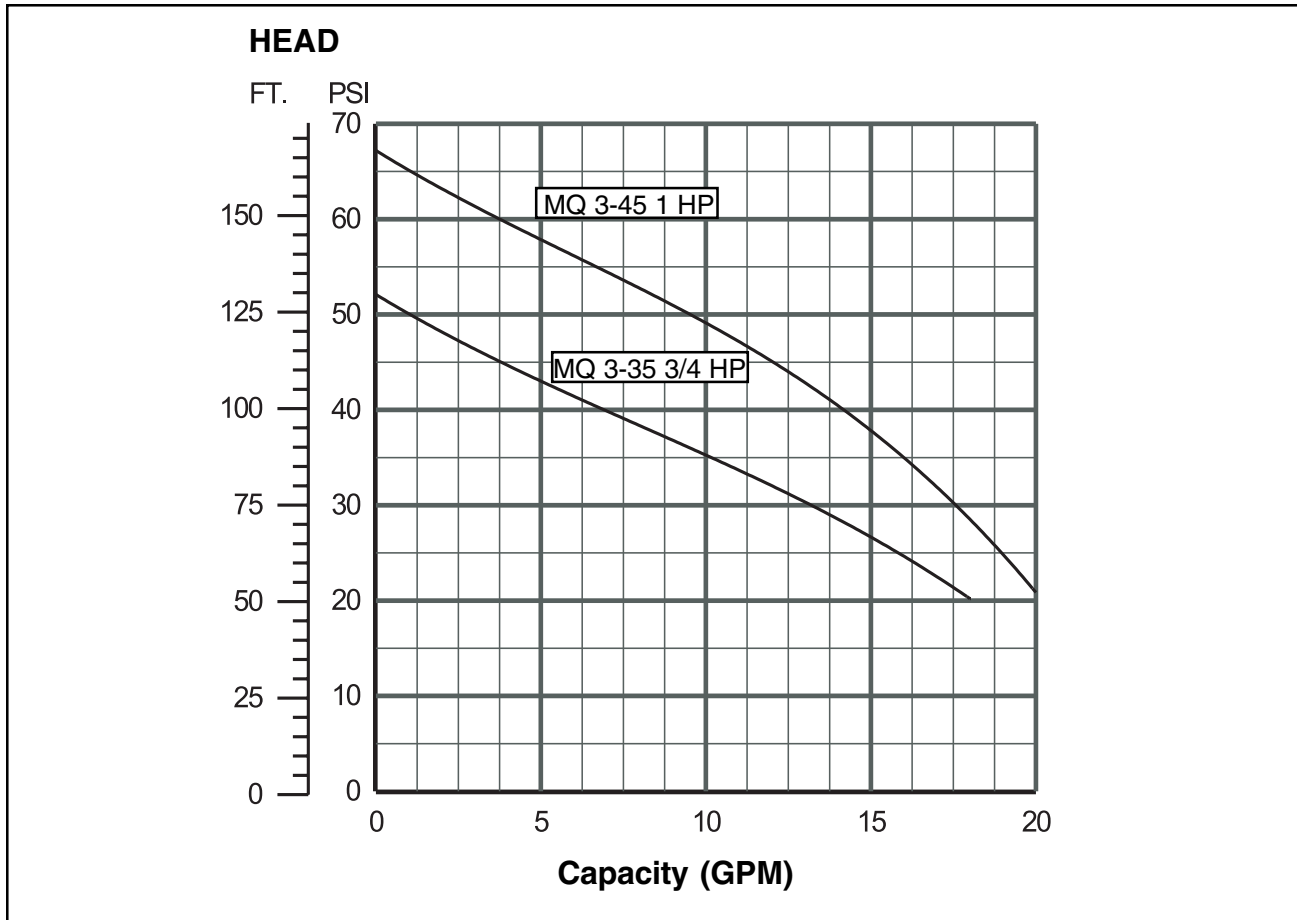
Nomenclature

	MQ	3	-35	A	-O	-A	BVBP
Pump type							
Nominal Flow Rate [M3/h]							
Head [m]							
Code for pump version							
A: Standard							
Code for pipework connection							
Code for materials							
A: Standard							
Code for shaft seal							

Pump Data and Weights

Pump Type	HP	HP	Input Voltage	Inlet NPT	Discharge NPT	Max. Amps	Ship Weight lbs.
MQ 3-35	3/4	1	110-120	1"	1"	7.2	30
MQ 3-45	1	1	110-120	1"	1"	9.2	30
MQ 3-35	3/4	1	220-240	1"	1"	3.7	30
MQ 3-45	1	1	220-240	1"	1"	4.5	30

Performance Curves



Component	Material
Suction port	POM + 25% glass fiber
Discharge Port	POM + 25% glass fiber
Pressure tank	NR-rubber (diaphragm)
Impeller	PPO + 20% glass fiber
Chamber	PPO + 20% glass fiber
Base Plate	POM + 25% glass fiber
Clamp	Stainless steel, DIN W. - Nr 1.4301, AISI 304
Motor cooling sleeve	Stainless steel, DIN W. - Nr 1.4301, AISI 304
Shaft Seal	Carbon/ceramics/NBR rubber
Non-return valve	POM + 25% glass fiber
Shaft	Stainless steel, DIN W.-Nr. 1.4005, AISI 416
Self Priming Valve	PP + 30% glass fiber
Self Priming Part	PPE/PS + 20% glass fiber
Drain plug	POM + 25% glass fiber
Priming plug	POM + 25% glass fiber
Pump sleeve	Stainless steel, W.-Nr. 14301, AISI 304
O-rings	NBR-rubber



Grundfos Pumps Corporation • 17100 W. 118th Terrace • Olathe, KS 66061

Phone: 913.227.3400 • Fax: 913.227.3500

Canada: Oakville, Ontario • Mexico: Apodaca, N.L.

Visit our website at www.us.grundfos.com



L-MQ-TL-002 | 07/01
PRINTED IN USA