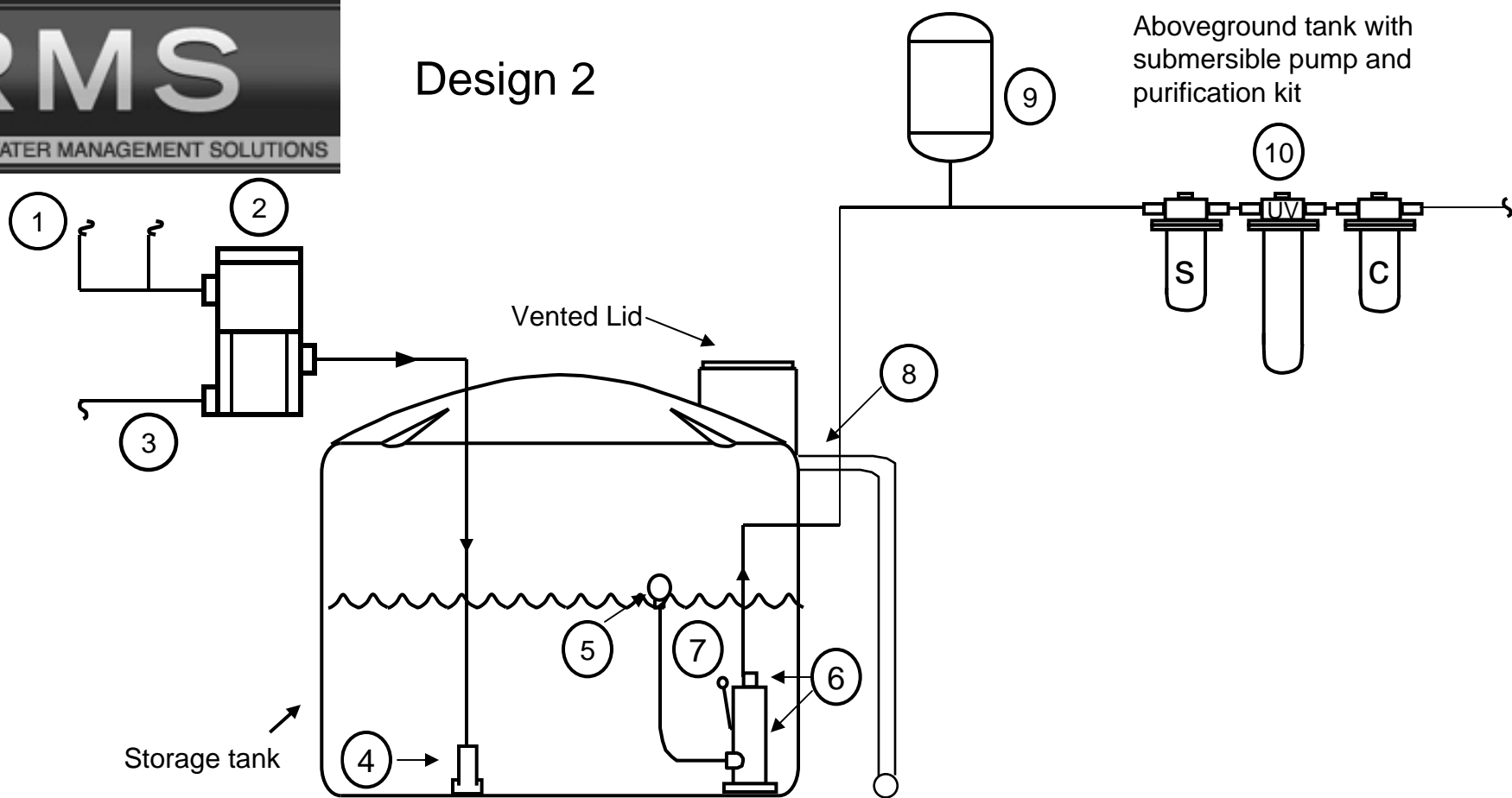


Design 2



- ① Rainwater collection point (roof drains, gutters, etc)

② Rainwater enters the vortex filter and is processed. Mounted with Wall Bracket

③ Remaining water from vortex filter to overflow
- ④ Smoothing inlet – stainless steel “flow-calming” device to eliminate turbulence of the incoming water as it enters the tank

⑤ Floating stainless steel suction filter

⑥ Submersible feed pump with check valve
- ⑦ Low water cut off float switch for pump protection (N/O)

⑧ Overflow

⑨ Pressure tank with tank TEE Package

⑩ Optional purification kit

RAINWATER HARVESTING SYSTEM DETAIL (For Design Only)

Not For Construction

NOT TO SCALE